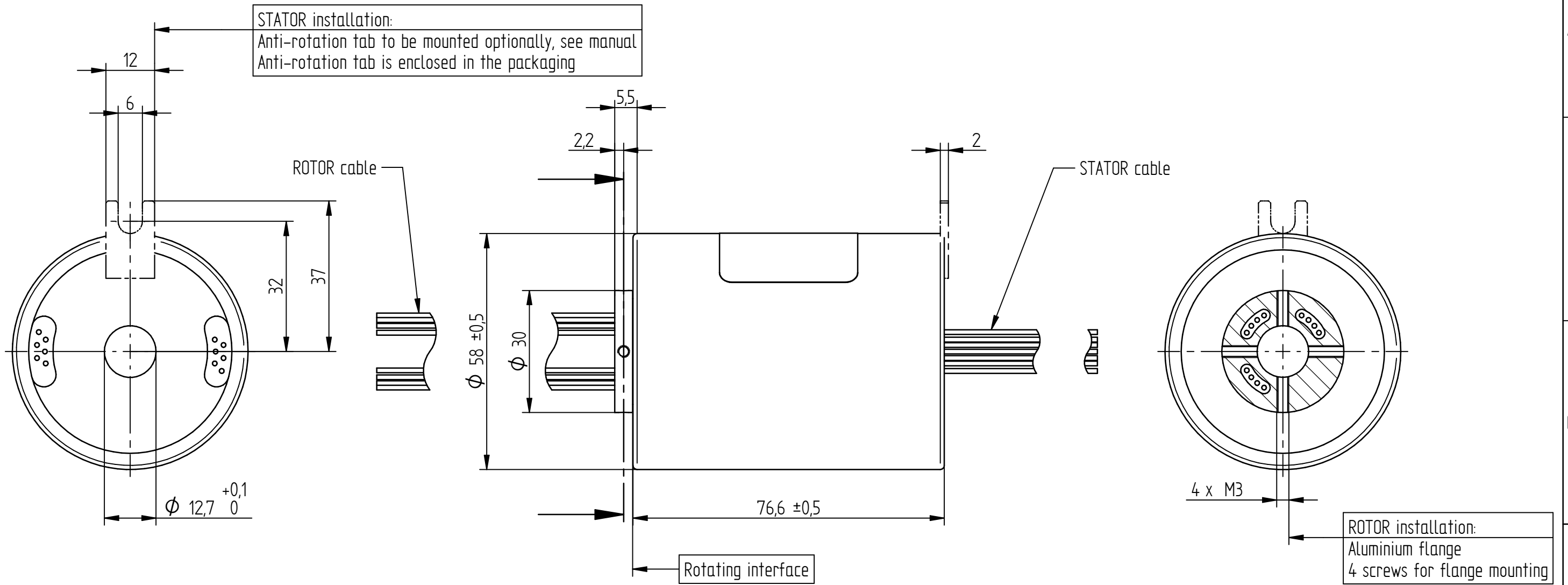


All drawings are the property of Schleifring GmbH/ Germany and are to be treated as confidential. The reproduction, distribution and utilization as well as the communication of its contents to others without express authorization is prohibited. Offenders will be held liable for the payment of damages. All rights reserved in the event of the grant of a patent, utility model or design.



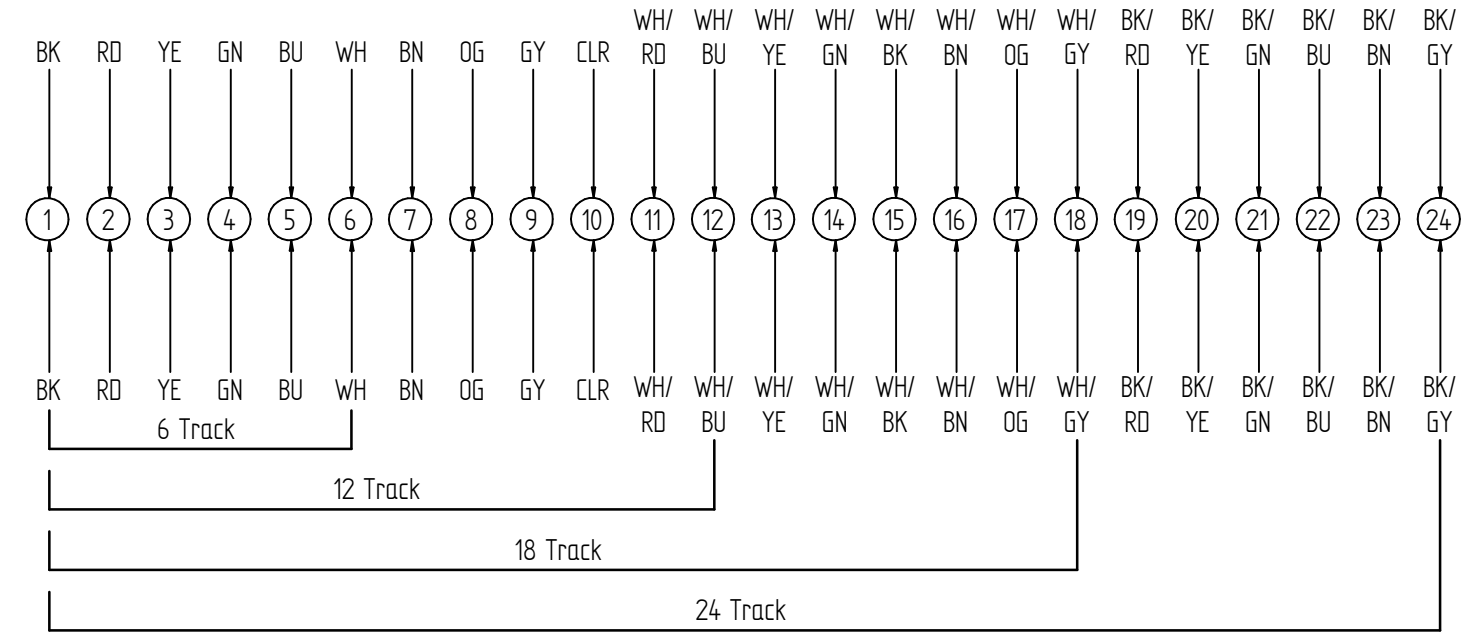
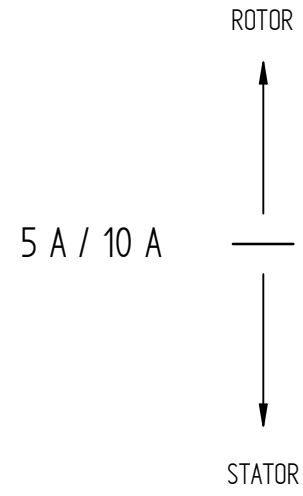
Wiring diagramm see sheet 2

Die Montageanleitung 7BC000000 wird elektronisch bereitgestellt.  
 The assembly instruction 7BC000000 is provided in electronic format.

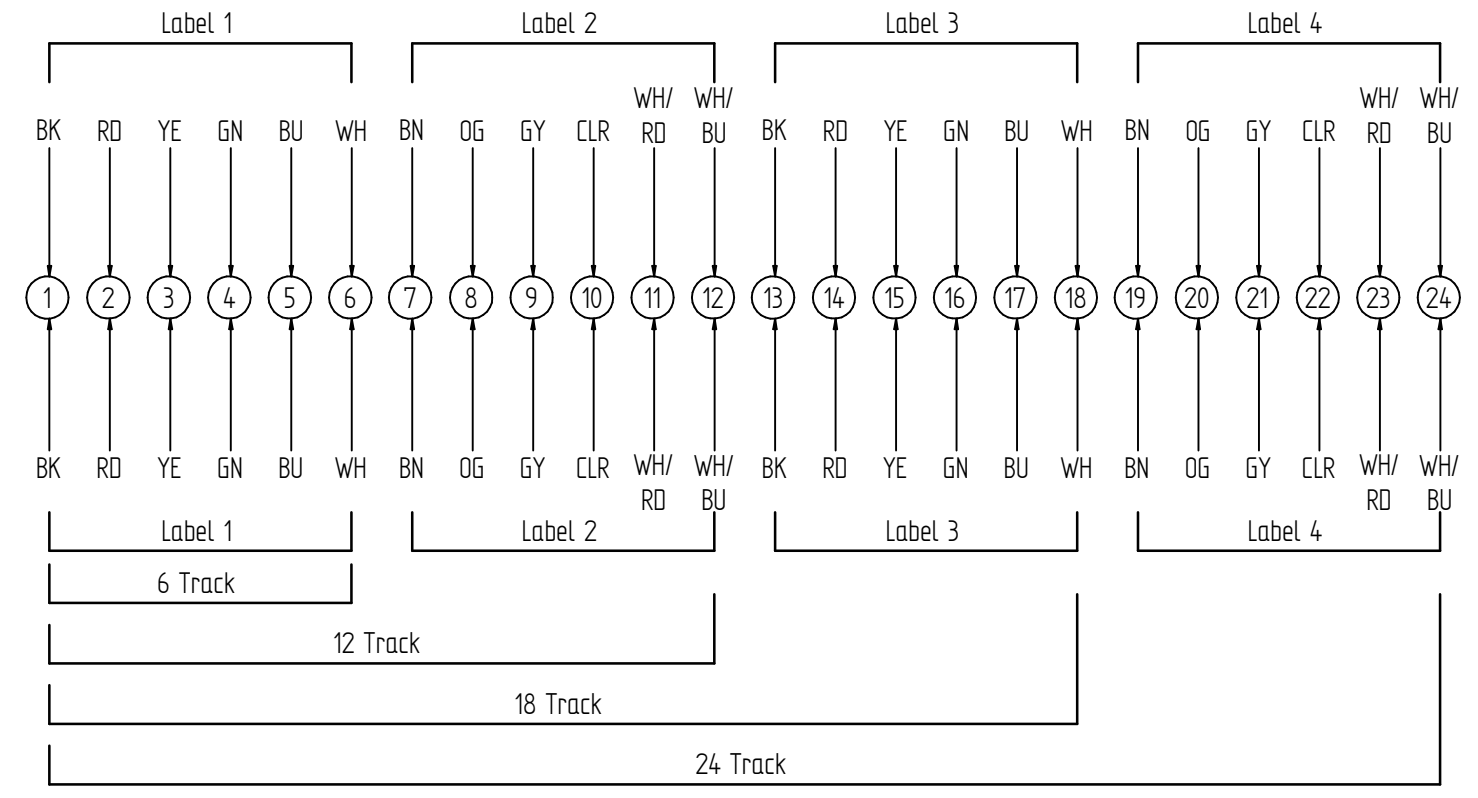
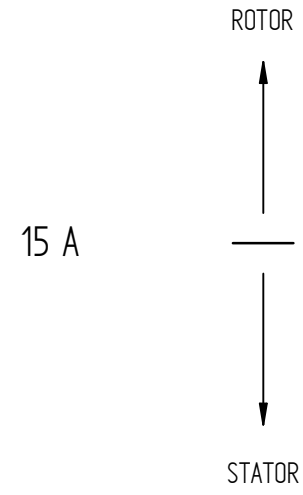
ELECTRONIC & ELECTRIC		MECHANICAL	
Rating Voltage	250 V AC / DC or 400 V AC	Working Speed	300 rpm max.
		Inner Diameter	Ø 12,7
		Contact Material	Precious Metals
Current	10 A	Lead Wire Length	STATOR: 250 mm ROTOR: 250 mm
Track	12	/	/
Insulation Resistance	500 MΩ @ 500 V DC	/	/
ENVIRONMENT		REMARKS	
Working Temperature	-20 °C to +60 °C	Application	see Manual
Working Humidity	≤ 60 % RH	Other	/
Protection Class	IP50	Note:	/

10	1	70C000041	Maverick Schleifring 12-Weg 10A		
Pos.	Anz.	Mat.Nr.	Kurztext	Größe/Abmessung	Werkstoff
1	2	3	4	5	6
DIN ISO 5456-2		TOLERANCES		DIN ISO 13715	
ISO 2768 - mH		$\begin{matrix} +0,3 \\   \\ +0,1 \end{matrix}$ $\begin{matrix} -0,1 \\   \\ -0,3 \end{matrix}$		FINISH	
				SCALE 1:1	
				WEIGHT 0,001 kg	
				REFERENCE 2	
				REFERENCE 1	
STANDARDS			DWG NO		REVISION
ISO 8015 ISO 14405			7KC000041		A1
					FIRST RELEASE 08.12.2021
					DESIGNER CREITER 18.11.2022
					APPROVED AGREPPMAYR 21.11.2022
<b>SCHLEIFRING</b>			Beschreibung Maverick Schleifring 12-Weg 10A DESCRIPTION Maverick Slip Ring 12-Track 10A SIZE/DIM.		CHANGE NO 200120151
					DOCUMENT TYPE Kundenzeichnung

All drawings are the property of Schleifring GmbH/ Germany and are to be treated as confidential. The reproduction, distribution and utilization as well as the communication of its contents to others without express authorization is prohibited. Offenders will be held liable for the payment of damages. All rights reserved in the event of the grant of a patent, utility model or design.



Cable Table	
Current	Cable
5 A / Signal	AWG17
10 A	
15 A	AWG14



	TOLERANCES ISO 2768 - mH		FINISH MATERIAL	SCALE 1:1	REFERENCE 2
	STANDARDS ISO 8015 ISO 14405		DWG NO <b>7KLC000041</b>	REVISION <b>A1</b>	WEIGHT 0,001 kg
			Beschreibung <b>Maverick Schleifring 12-Weg 10A</b> DESCRIPTION <b>Maverick Slip Ring 12-Track 10A</b>	CHANGE NO 200120151	SHEET 2/2
Draft: 1000953766/D02/000/02			Modell: 1000953766/D00/000/02	A3	

1 2 3 4 5 6 7 8

A B C D E F

A B C D E F

1 2 3 4 5 6 7 8